

ICI-99T SERIES INDUCTOR FOR HARRIS SEMICONDUCTOR

FEATURES

- SURFACE MOUNT, SELF-LEADED INDUCTOR
- SOLUTION BASED ON EFFICIENCY, USING ALLID MICRILITE CORE
- DESIGNED FOR NOTEBOOKS, PORTABLES AND PCAS
- WIDE VARIETY OF OTHER INDUCTOR SIZES AND VALUES AVAILABLE



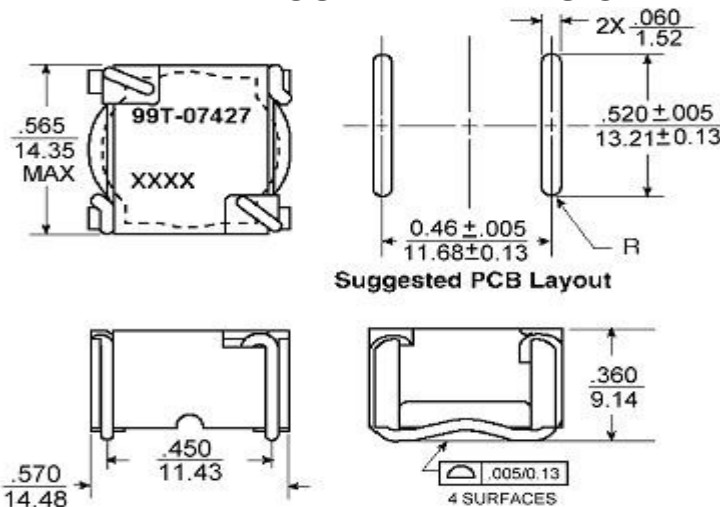
TEST CONDITIONS

- Inductance ----- 200KHz/20mV

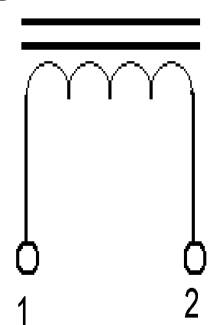
ELECTRICAL SPECIFICATIONS @25°C-Operating temperature -30°C TO +130°C

PART NUMBER	REFERENCE VALUES				CONTROL VALUES		CALCULATION DATA	
	IDC (Am p)	L@DC LDC(μH)	ET (V-μsec)	STORAGE CAPACITY (μJoules)	LW/O DC LO±20% (μH)	DCR MAX (Ω)	100 GAUSS ET100 (VJoules)	1 Amp DC H1 (Orsted)
ICI99T-074 L7	4.96	7.4	14.34	90.43	12.7	18.2	1.20	7.42

MARKINGS AND DIMENSION



SCHEMATIC



Dimensions:inches/mm

Unless otherwise specified, all tolerances are $\pm.010/\pm0.25$