

# 96T SERIES

# HIGH AND LOW CURRENT COUPLED INDUCTORS

## FEATURES

- SELF-LEADED, SURFACE MOUNT.
- SUITED FOR IR AND VAPOR PHASE REFLOW SOLDERING.
- FREQUENCY RANGE UP TO 1MHz.



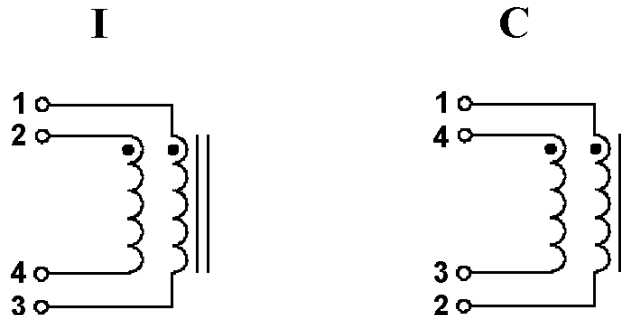
## TEST CONDITIONS

- Inductance ----- 1MHz/1V
- Leakage Inductance ----- 1MHz/1V

## ELECTRICAL SPECIFICATIONS @25°C—Operating Temperature-30°C to 130°C

Part Number	I <sub>dc</sub> (Amps)	L <sub>w/DC</sub> (μH)	ET (V-μ sec)	SIZE CODE	L <sub>w/DC</sub> (μH±20%)	Max DCR (mΩ)
ICI96T-053I4	23.8	.53	1.00	I4	.88	1.7
ICI96T-011I5	21.0	1.10	1.75	I5	2.10	3.0
ICI96T-021I6	22.4	2.10	3.25	I6	4.00	3.4
ICI96T-430C3	1.1	43.6	7.83	C3	77.0	309
ICI96T-220C4	2.7	21.9	6.90	C4	39.5	90.5
ICI96T-040C5	6.4	4.025	3.135	C5	6.575	23

## SCHEMATICS



## MECHANICAL

### SIZE CODES (inches/mm)

	I4	I5	I6	C3	C4	C5	S1	S2	S3
<b>A</b>	.715/18.16	.800/20.32	1.00/25.4	.560/14.22	.590/14.99	.670/17.02	.551/14.00	.575/14.60	.650/16.50
<b>B</b>	.865/21.97	.910/23.11	1.11/28.19	.645/16.38	.715/18.16	.770/19.56	.630/16.00	.701/17.80	.748/19.00
<b>C</b>	.390/9.91	.390/9.91	.390/9.91	.350/8.89	.390/9.91	.390/9.91	.311/7.90	.350/8.90	.374/9.50
<b>D</b>	.760/10.30	.800/20.32	1.00/25.4	.520/13.21	.600/15.24	.650/16.51	.256/6.50	.295/7.50	.327/8.30
<b>E</b>	.360/9.14	.440/11.18	.620/15.75	.340/8.64	.370/9.40	.445/11.30	.260/6.60	.319/8.10	.354/9.00
<b>F</b>	.770/19.56	.810/20.57	1.010/25.65	.530/13.46	.610/15.49	.660/16.76	.338/8.60	.370/9.40	.445/11.30
<b>G</b>	-	-	-	-	-	-	.531/13.50	.610/15.50	.661/16.80
<b>DIA</b>	-	-	-	-	-	-	.484/12.30	.531/13.50	.606/15.40

**96T SERIES**

HIGH AND LOW CURRENT  
COUPLED INDUCTORS

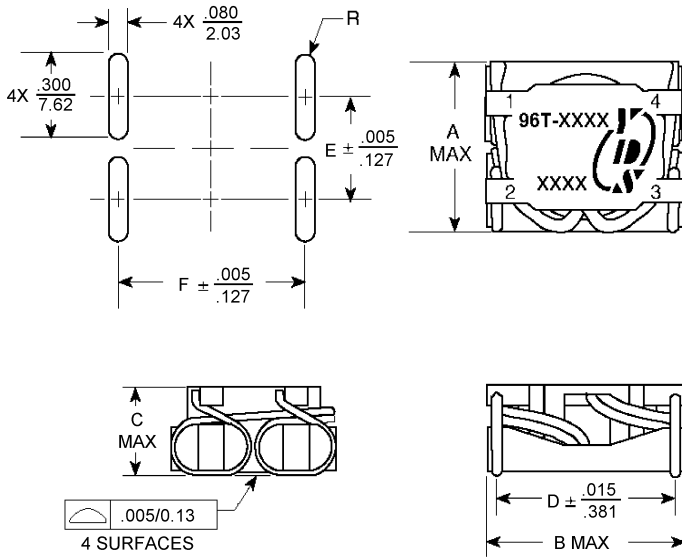
---

---

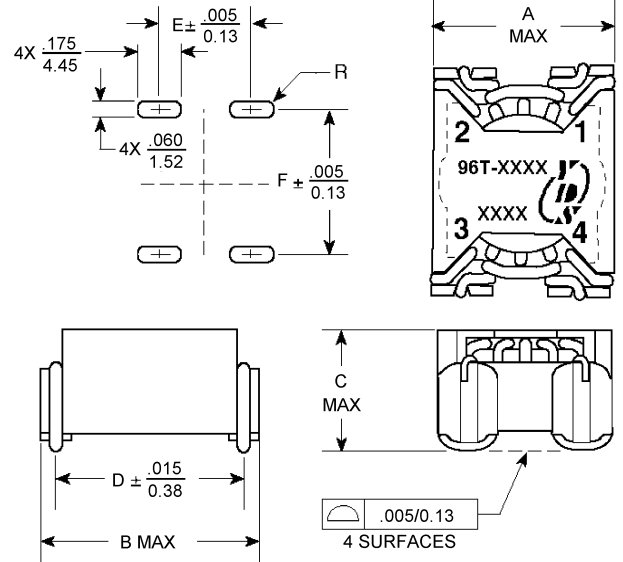
# 96T SERIES

# HIGH AND LOW CURRENT COUPLED INDUCTORS

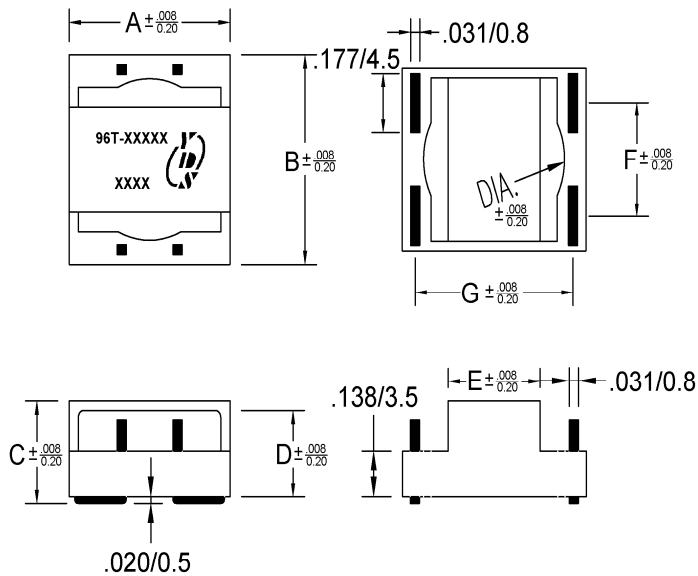
## I TYPE



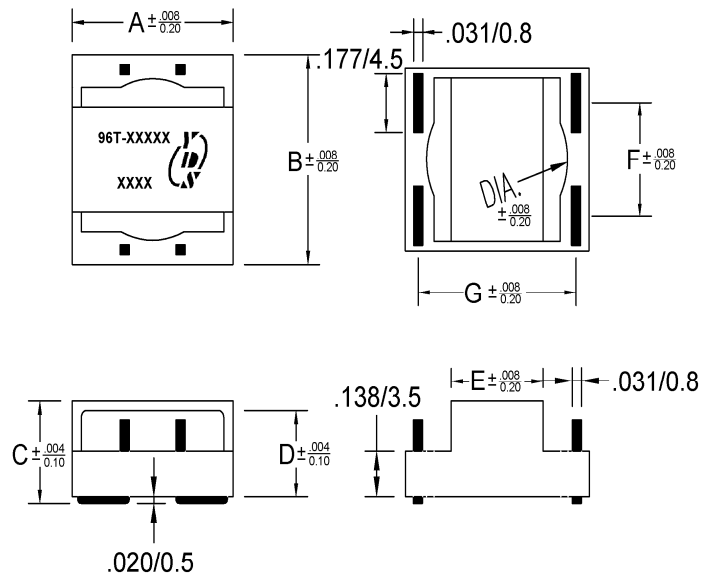
## C TYPE



## S1 & S2



## S3



Dimensions: inch/mm

**96T SERIES**

HIGH AND LOW CURRENT  
COUPLED INDUCTORS

---